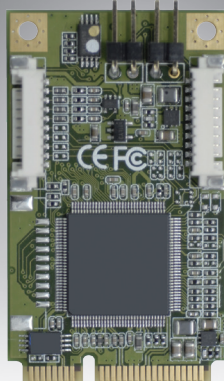


DVP-7031E

4-ch H.264/MPEG4 MiniPCIe Video Capture Card with SDK

NEW



Features

- 4-channel video inputs with H.264/MPEG4 software compression
- 120/100 fps (NTSC/PAL) at up to D1 resolution for recording and display
- Mini PCIe host interface
- Windows/Linux OS supported



Introduction

DVP-7031E is a Mini PCIe-bus, software compression video capture card with 4 video and 4 audio inputs. DVP-7031E supports H.264 baseline compression format at up to D1 resolution at real-time frame rate (30/25fps). With an easy-to-use software development kit (SDK) and flexibility to stack multiple cards, DVP-7031E is an ideal solution for various video capture applications or video surveillance.

Specifications

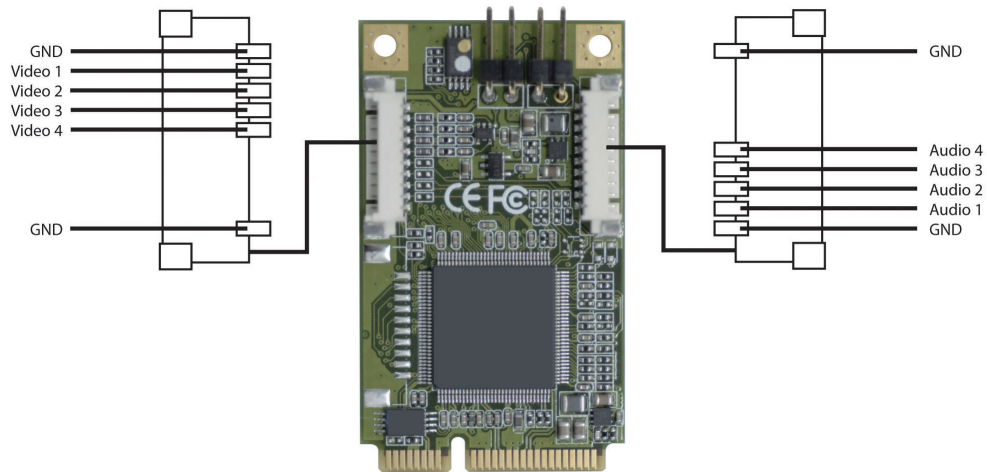
| | | |
|--------------------------|-----------------------|--|
| Video | Video Standard | Composite for NTSC/PAL |
| | Video Input | 4 x pin |
| | Video Output | none |
| | Compression | S/W H.264/MPEG4 |
| | Max. Display Rate | 30/25 fps (NTSC/PAL) @ D1/ch |
| | Max. Recording Rate | 30/25 fps (NTSC/PAL) @ D1/ch |
| Audio | Audio Input | 4 x pin |
| | Format | Mono/8~16 bits/8000~48000Hz |
| System Requirements | CPU (Display) | Intel Core 2 Duo E2200 2.2 GHz |
| | CPU (Recording) | Intel Core 2 Quad Q9400 2.6 GHz |
| | Memory | 2 GB |
| | VGA | 1024 x 768, DirectX 9.0c |
| | Operating System | Windows XP/XPe/Vista/7; Linux 2.6.14 or higher; 32/64 bits |
| Physical Characteristics | Host Interface | Mini PCIe |
| | Operating Temperature | -20 ~ 70° C (-4 ~ 158° F) |
| | Storing Temperature | -40 ~ 85° C (-40 ~ 185° F) |
| | Dimensions | 30 x 51 mm |
| Safety | CE/FCC | |

Versatile SDK Support (For Windows Only)

Advantech provides software development kit (SDK), a set of development tools that allows a software engineer to integrate video capture modules into different types of system. Functions include video recording, playback and instant preview.

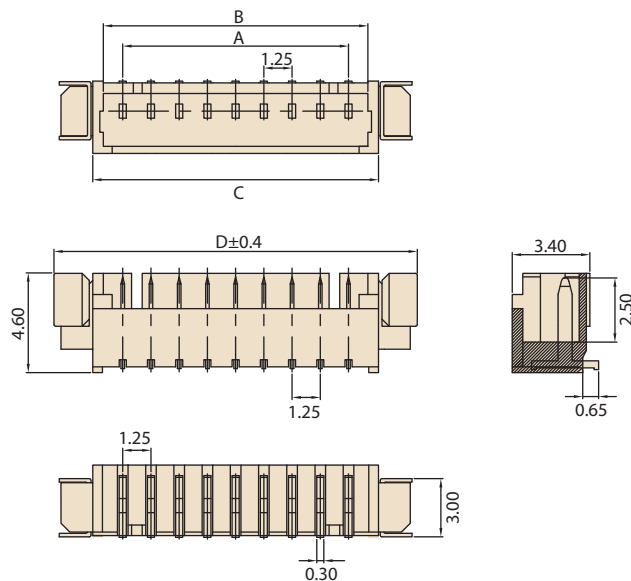
- Software Library
- SDK Manual
- Sample Program

Connection Diagram



Connector Dimensions

Unit: mm



| CKT. | A | B | C | D |
|------|-------|-------|-------|-------|
| 2 | 1.25 | 3.05 | 4.25 | 7.65 |
| 3 | 2.50 | 4.30 | 5.50 | 8.90 |
| 4 | 3.75 | 5.55 | 6.75 | 10.15 |
| 5 | 5.00 | 6.80 | 8.00 | 11.40 |
| 6 | 6.25 | 8.05 | 9.25 | 12.65 |
| 7 | 7.50 | 9.30 | 10.50 | 13.90 |
| 8 | 8.75 | 10.56 | 11.75 | 15.15 |
| 9 | 10.00 | 11.80 | 13.00 | 16.40 |
| 10 | 11.25 | 13.05 | 14.25 | 17.65 |
| 11 | 12.50 | 14.30 | 15.50 | 18.90 |
| 12 | 13.75 | 15.55 | 16.75 | 20.15 |
| 13 | 15.00 | 16.80 | 18.00 | 21.40 |
| 14 | 16.25 | 18.05 | 19.25 | 22.65 |
| 15 | 17.50 | 19.30 | 20.50 | 23.90 |

Ordering Information

| Part Number | Description |
|-----------------|---|
| DVP-7031E | 4-ch H.264/MPEG4 MiniPCIe Video Capture Card with SDK |
| XMSE1-MC-A/V-CB | Audio/Video cable (optional) |

Packing List

| Item | Amount |
|------------------------|-----------|
| DVP-7031E Capture Card | 1 (piece) |